



**PRESSURE WASHER
ITEM NO. BM80320X
MFG NO. 090079357
REPLACEMENT PARTS LIST**

OWT INDUSTRIES, INC.

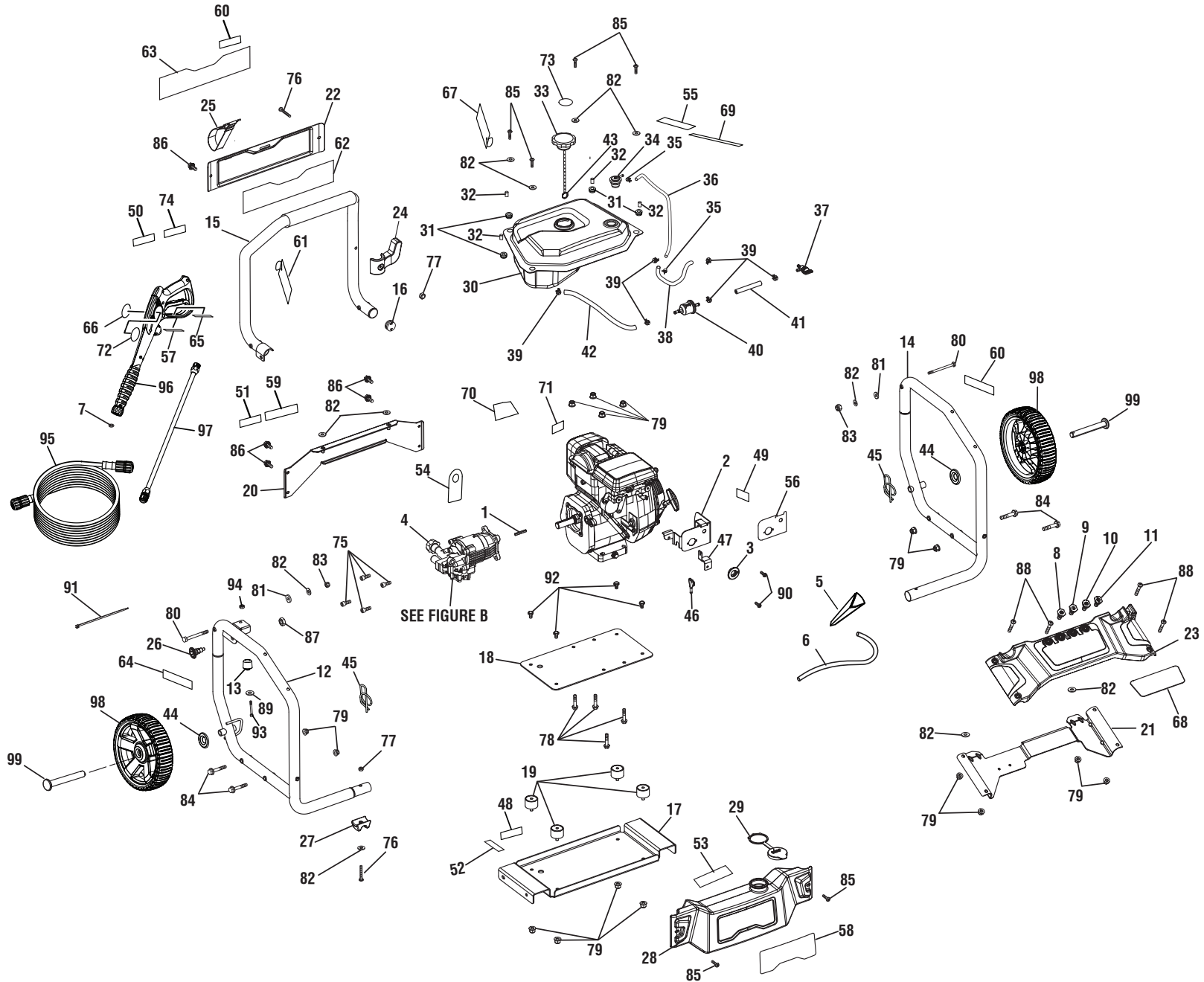
1428 Pearman Dairy Rd. Anderson, SC 29625

1-800-726-5760

www.blackmaxtools.com

BLACKMAX PRESSURE WASHER – MODEL NO. BM80320X

FIGURE A



BLACKMAX PRESSURE WASHER – MODEL NO. BM80320X

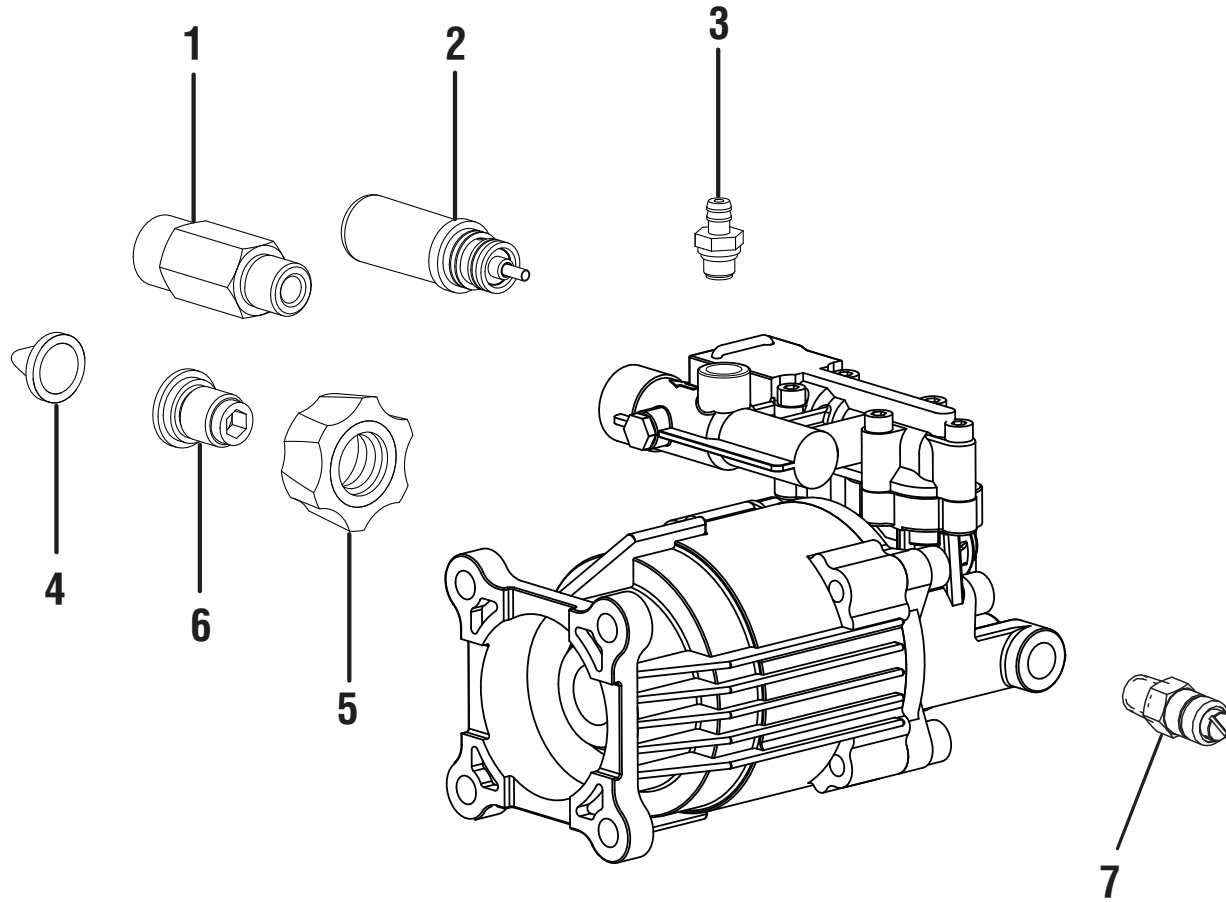
The model number will be found on a label attached to pump housing. Always mention the model number in all correspondence regarding your **PRESSURE WASHER** or when ordering replacement parts.

FIGURE A PARTS LIST

KEY NO.	PART NUMBER	DESCRIPTION	QTY	KEY NO.	PART NUMBER	DESCRIPTION	QTY
1	678041007	Output Shaft Key	1	25	308350003	Hose Holder Strap	1
2	639139001	Fuel Valve Bracket	1	26	308910010	Handle Lock Assembly	1
3	519813025	Fuel Valve Bezel	1	27	561307007	Foot Pad	1
4	308653071	Pump.....	1	28	580875020	Soap Tank	1
5	519314001	Funnel	1	29	310650004	Soap Tank Cap.....	1
6	561399016	Chemical Siphon Tube.....	1	30	310711185	Fuel Tank Assembly (Inc. Key Nos. 31-32)	1
7	570742072	O-Ring.....	1	31	519832003	Fuel Tank Bushing.....	4
8	308697028	0° Nozzle.....	1	32	518528002	Fuel Tank Bushing Insert.....	4
9	308699028	25° Nozzle.....	1	33	310720026	Fuel Cap.....	1
10	308700028	40° Nozzle.....	1	34	310854002	Vapor Vent.....	1
11	308706011	Soap Nozzle (Blue).....	1	35	678409008	Hose Clamp (3/8 in.)	2
12	310703025	Main Frame Assembly (Left) (Inc. Key Nos. 13, 89 & 93-94)	1	36	570358181	Vapor Hose (550 mm)	1
13	570712001	Rubber Bumper	1	37	308459002	Fuel Valve.....	1
14	310704030	Main Frame Assembly (Right)	1	38	570358164	Fuel Hose (245 mm)	1
15	308940010	Handle Assembly (Inc. Key No. 16).....	1	39	678408006	Hose Clamp (1/2 in.)	6
16	518932001	Tube Cap.....	1	40	308733003	Fuel Filter	1
17	638662041	Engine Plate	1	41	570358078	Fuel Hose (90 mm).....	1
18	638662042	Spacer Plate.....	1	42	570358159	Fuel Hose (265 mm).....	1
19	570356012	Isolator	4	43	678899007	Ring Clip	1
20	638960014	Fuel Tank Support (Rear)	1	44	638275002	Washer (1/2 in.)	2
21	638960015	Fuel Tank Support (Front).....	1	45	678899001	Wheel Axle Ring Clip.....	2
22	638671016	Hose Holder Panel.....	1	46	308762005	Vapor Adapter	1
23	518790025	Faceplate Panel	1	47	639139003	Vapor Adapter Bracket.....	1
24	519313018	Upper Wand Holder	1	48	940871016	Add Oil Label	1
				49	940647130	Choke & Engine Switch Label.....	1

NOTE A: Techtronic Industries Power Equipment, Inc. will not provide complete motor as a replacement part. Motor are covered though the motor manufacturer's warranty. Consult the accompanying motor manual or contact our service department for assistance.

FIGURE B



BLACKMAX PRESSURE WASHER – MODEL NO. BM80320X

The model number will be found on a label attached to pump housing. Always mention the model number in all correspondence regarding your **PRESSURE WASHER** or when ordering replacement parts.

FIGURE B PARTS LIST

KEY NO.	PART NUMBER	DESCRIPTION	QTY
1	308862003	Outlet Tube	1
2	310924003	Unloader Valve Assembly	1
3	308452002	Soap Injector Kit	1
4	308662001	Filter Screen.....	1
5	310993003	Inlet Filter Adapter/Brass Insert.....	1
6	642058001	Inlet Filter Connector	1
7	678169004	Thermal Release Valve.....	1